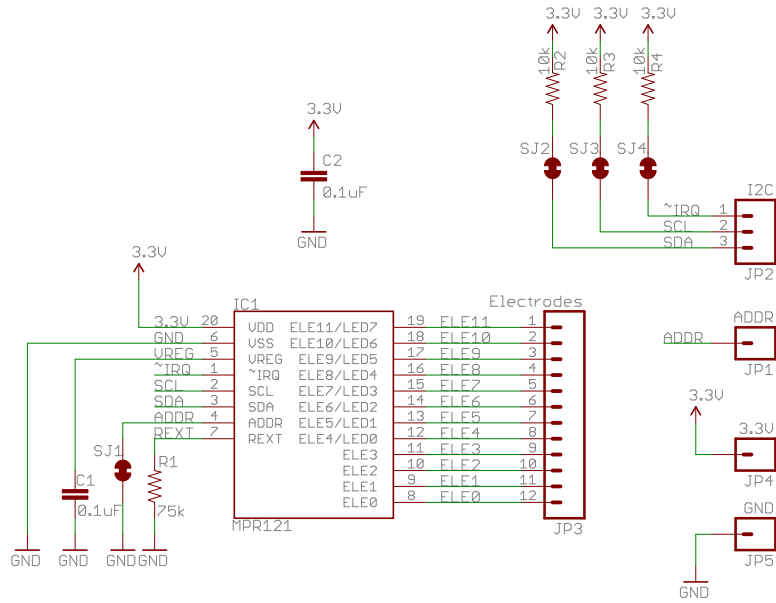


ADDR = 0, I2C address is 0x5A



U13 Changes
 -Updated FP on IC
 -picture inport metal to metal (layer 200)
 -re-routed a few traces on IC

Released under the Creative Commons Attribution Share-Alike 3.0 License
<http://creativecommons.org/licenses/by-sa/3.0>
 Design by: Jim Lindblom

⊗ ⊗	
TITLE: MPR121-Breakout-v13	SFE
Document Number:	REV:
Date: 8/9/2013 9:02:56 AM	Sheet: 1/1