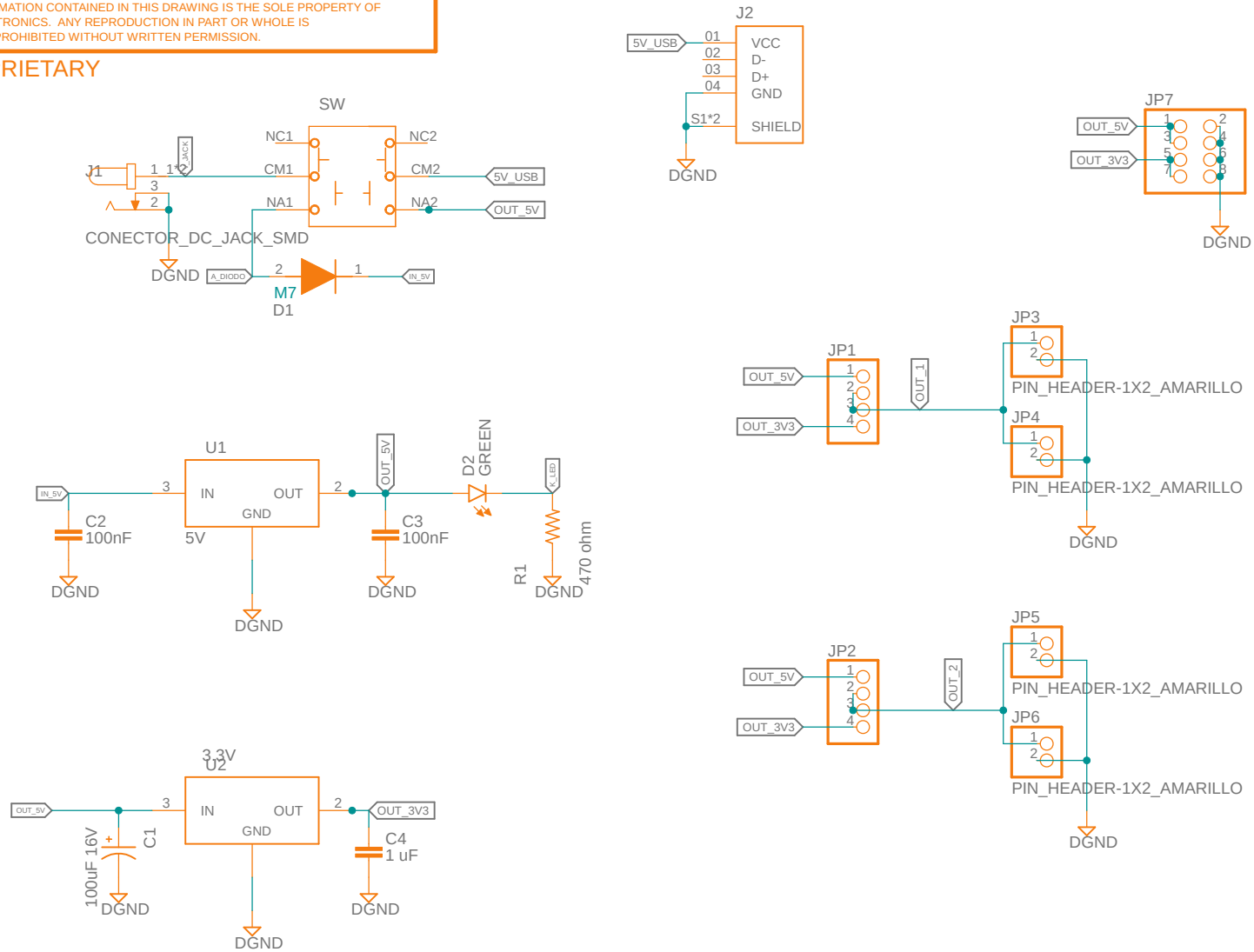


THE INFORMATION CONTAINED IN THIS DRAWING IS THE SOLE PROPERTY OF UNIT ELECTRONICS. ANY REPRODUCTION IN PART OR WHOLE IS STRICTLY PROHIBITED WITHOUT WRITTEN PERMISSION.

PROPRIETARY



Title: UNIT - Fuente para protoboard MB-102

SKU: AR0484

REV: 3

Last date time: 07/JUL/2022

SHEET: 1 of 1

File:

Sheet description:
Módulo para protoboard de 400 y 850 pines, alimentados de 5V a 3.3V

Author: Federico A. Hidalgo M.

