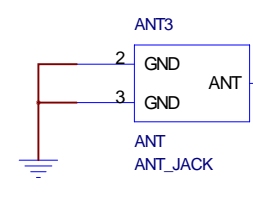
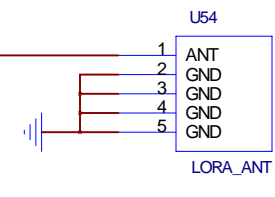
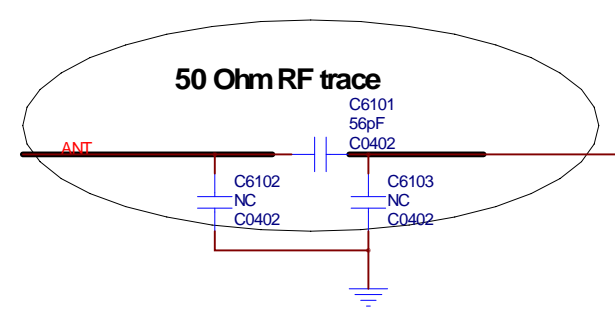
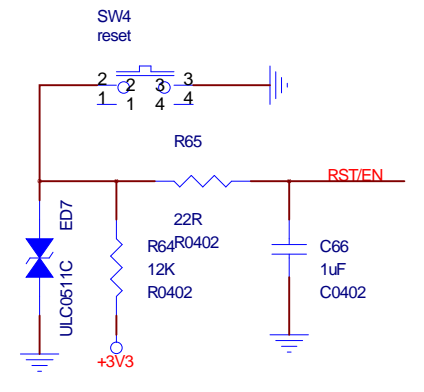
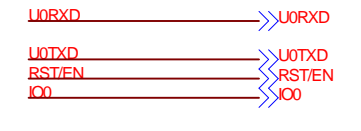
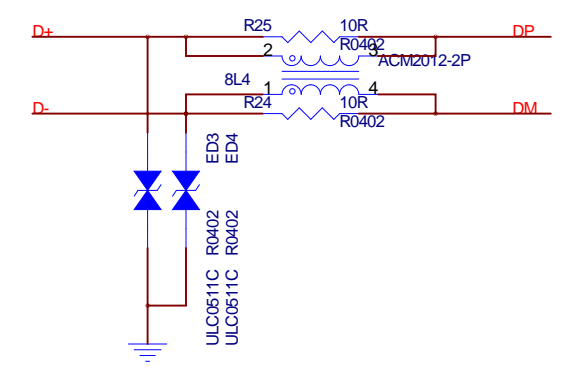
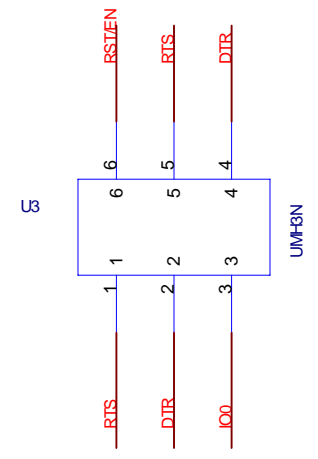
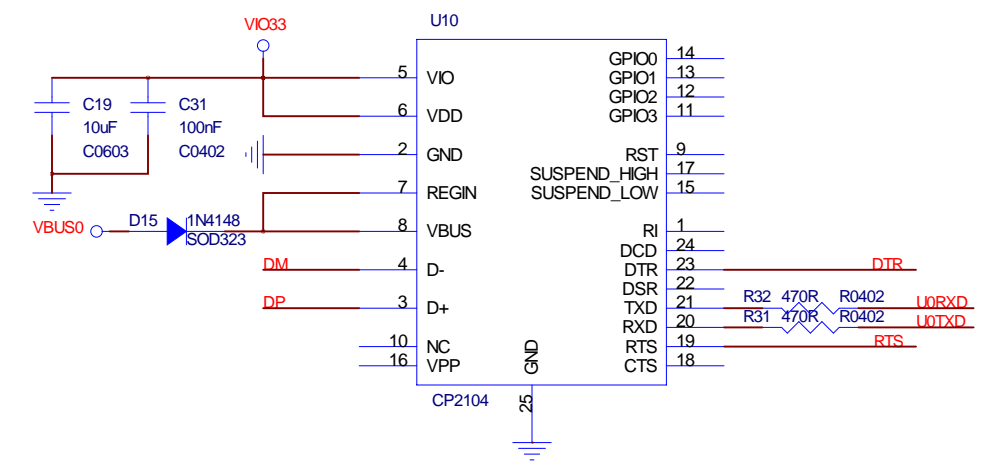
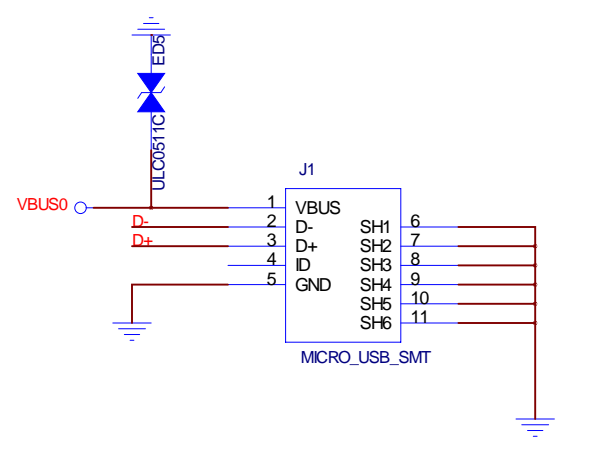
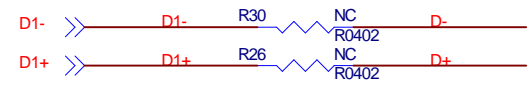
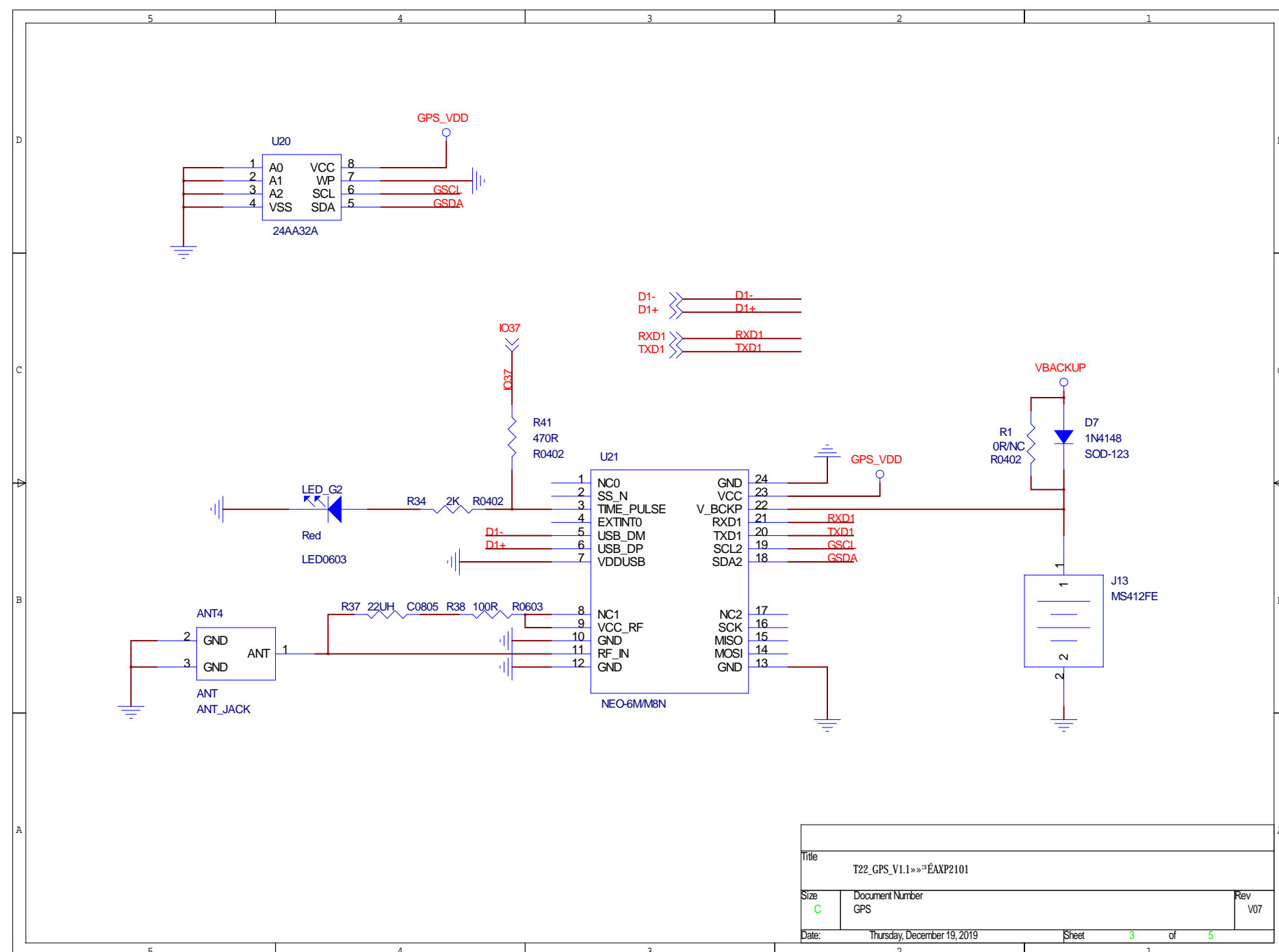


IO23=IRQ/RESET
IO18=NSS/SEL
IO5=SCK
IO27=MOSI/SDI
IO19=MISO/SDO
IO26=DI0/DO0



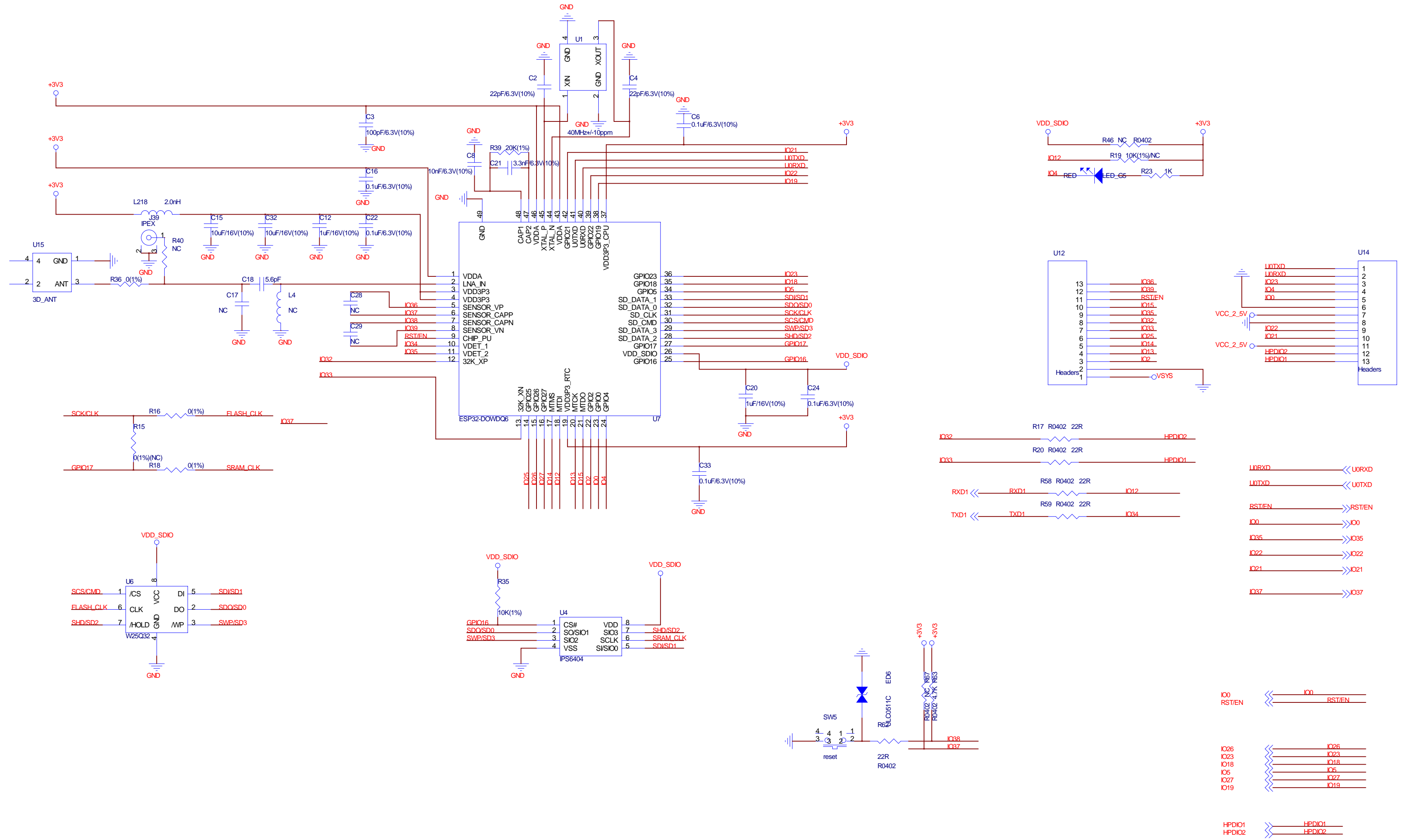
Title		
T22_GPS.V1.1>>E&XP2101		
Size	Document Number	Rev
C	TTGO LORA	V07
Date:	Thursday, December 19, 2019	Sheet 1 of 5





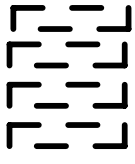

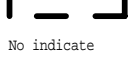
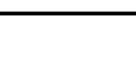
Title	T22_GPS_V1.1-»EAXP2101		
Size	Document Number	Rev	
C	GPS	V07	
Date:	Thursday, December 19, 2019	Sheet	3 of 5

ESP32 Module:with 1.8V Flash & SRAM
 The operating voltage for signals marked in blue is 1.8V.



Title	T22_GFS_V1.1==>EAMP2101		
Size	Document Number	ESP32	
Rev	C	Sheet	4 of 5
Date:	Thursday, December 19, 2019	Rev	V07

PCB POWER WIRE WIDTH INDICATE

	above 80 miles
	above 50 miles
	above 30 miles
	above 12 miles
No indicate	Under needs

