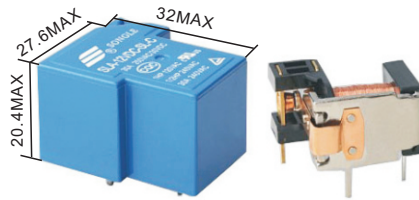


SLA Series SUBMINATURE HIGH POWER RELAY 5P 16A/20A/30A



CQC08002027666
CQC08002027668

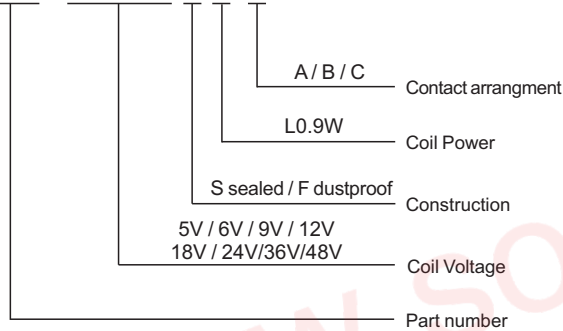


Features

- Miniature volume, PCB usage
- Contact rating: 16A/20A/30A
- Temperature range: +85°C/+105°C

Ordering Information

SLA-12VDC-S L-C



Contact Rating

Contact arrangement	A / B / C
Contact resistance	100mΩ
Contact material	Silver alloy: AgCdO, AgSnO ₂ , AgNi
Contact rating	1HP/16A/120VAC 20A/250VAC 30A/250VAC
Max switching voltage	250VAC
Max switching current	30A
Max switching power	7200VA
Electrical endurance (frequency: 1800 ops/h)	1x10 ⁵ ops / 1x10 ⁴ ops
Mechanical endurance (frequency: 18000 ops/h)	1x10 ⁷ ops

Characteristics

Insulation system	B / F	
Insulation resistance	100MΩ (500VDC)	
Dielectric Strength Leakage current 1mA	Between contacts and coil	2000VAC 1minute
	Between open contacts	1000VAC 1 minute
Operate time(Under nominal voltage)	≤10ms	
Release time(Under nominal voltage)	≤10ms	
Humidity	45% ~85% RH (20°C)	
Ambient Temperature	-40°C~+85°C/-40°C~+105°C	
Shock resistance	Functional	98m/s ²
	Destructive	980m/s ²
Vibration resistance (Double amplitude)	10Hz~55Hz 1.5mm	
Weight	Approx 24g	
Construction	Sealed	

Remark:1)All above data is initial value

Coil Data

(at 20°C)

Power dissipation W	Voltage VDC	Current mA	Resistance Ω ± 10%	Pick-up voltage	Drop-out voltage	Max allowable
0.9W (L)	05	185	27	75%Max	10%Min	130%
	06	150	40			
	09	100	90			
	12	75	160			
	18	50	380			
	24	37.5	640			
	36	25	1440			
	48	18.75	2560			

This product specification only for your reference, we will not notify you if we do any improvement. We reserve all the right for the final explanation





Web: www.songle.com www.songlerelay.com


Add.: CW7, Zone A, Far East Industrial Park, Yuyao City, Zhejiang, China Zip Code: 315400

SLA Series SUBMINATURE HIGH POWER RELAY 5P 16A/20A/30A

Safety Approval Ratings

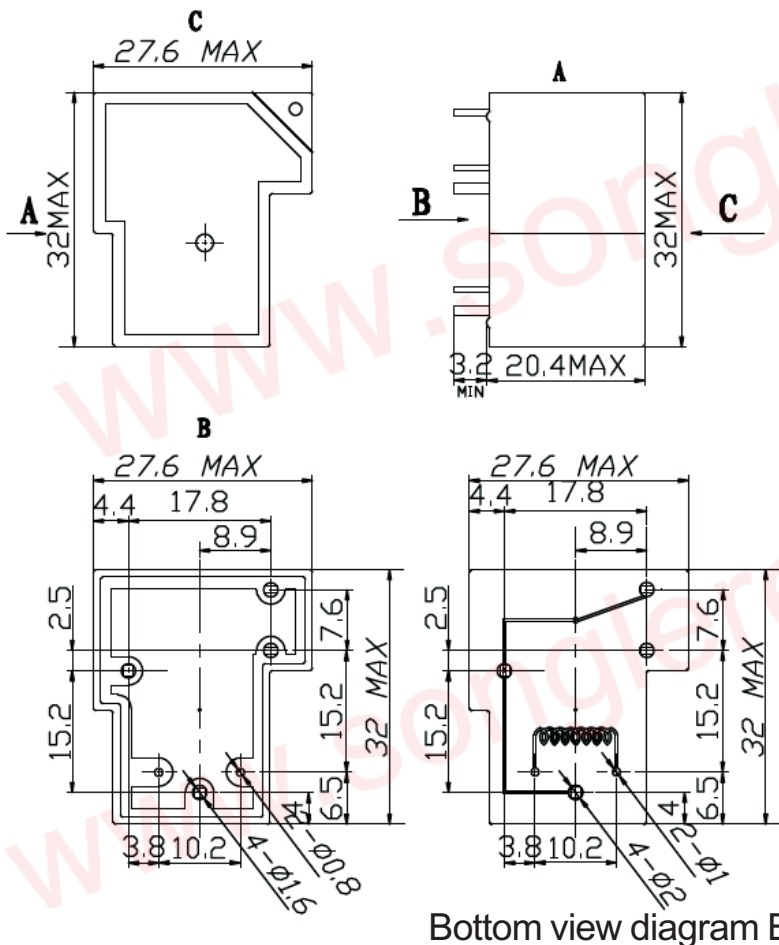
 CQC08002027666 CQC08002027668

 R50056114
30A 250VAC 20A 250VAC

 US E179944
20A 240VAC 1HP 16A 120VAC

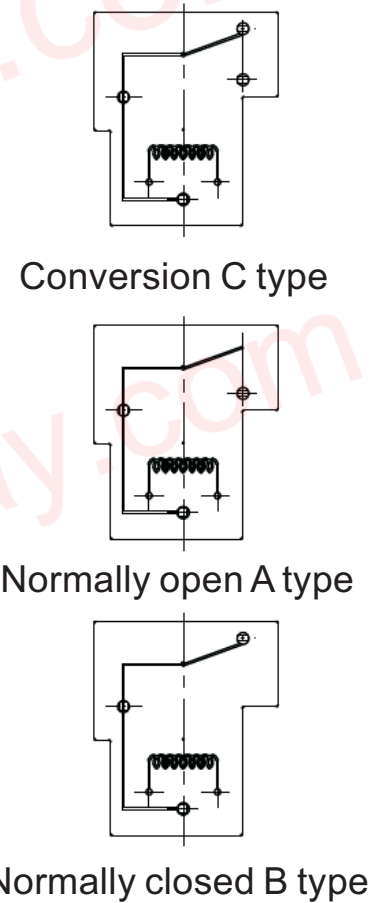
OUTLINE DIMENSIONS ,WIRING DIAGRAM AND PC BOARD LAYOUT Unit:mm

Physical installation diagram



Tolerance: $\pm 0.1\text{mm}$

PCB board diagram
(bottom view diagram)



This product specification only for your reference. we will not notify you if we do any improvement. We reserve all the right for the final explanation



Web: www.songle.com www.songlerelay.com

Add.: CW7, Zone A, Far East Industrial Park, Yuyao City, Zhejiang, China Zip Code: 315400