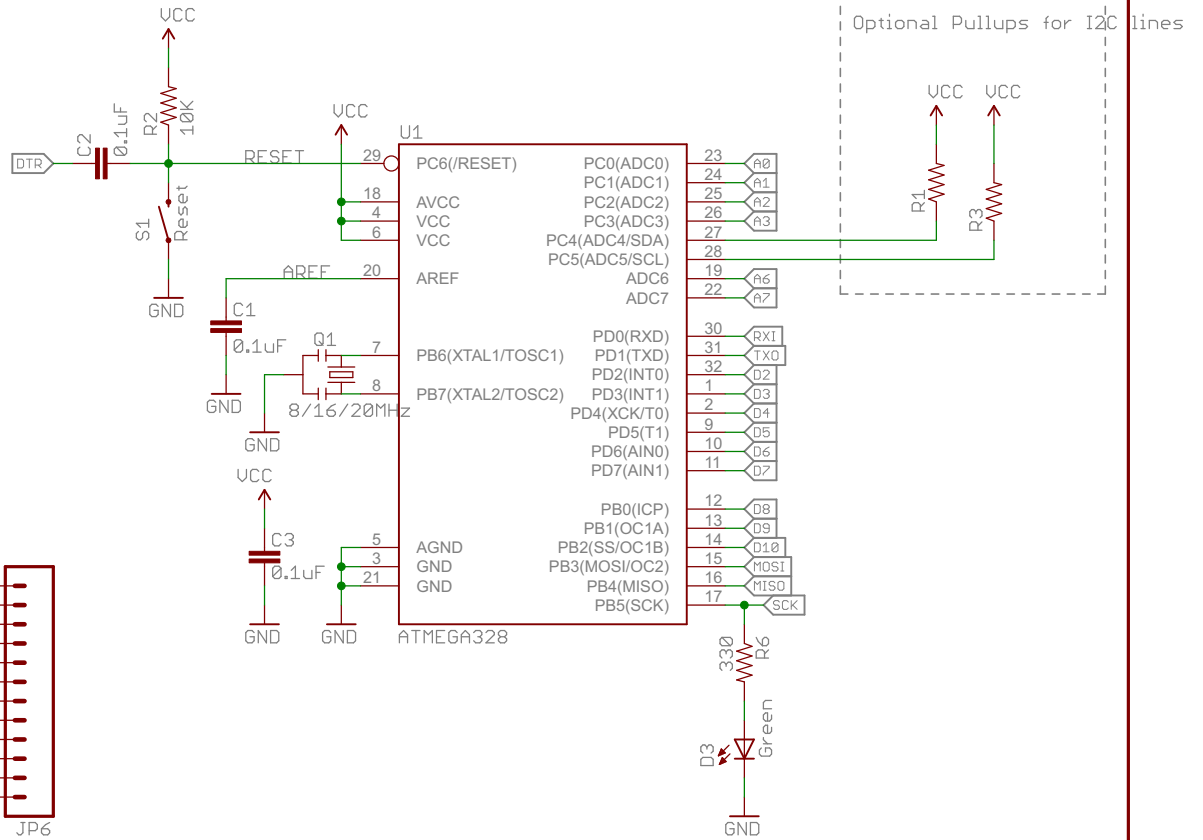
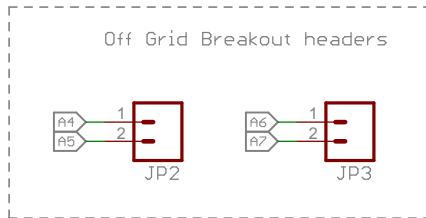
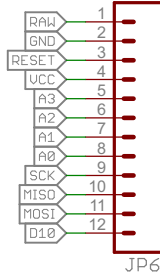
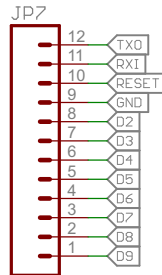
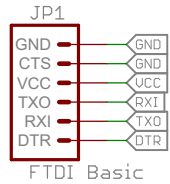


Board is marked with combination of resonator frequency and regulator voltage.



open hardware

Released under the Creative Commons Attribution Share-Alike 3.0 License

<http://creativecommons.org/licenses/by-sa/3.0>

TITLE: Arduino-Pro-Mini SFE

Design Original: Arduino Mini Design by Team Arduino REV: 14
 Arduino Pro Mini Design by Spark Fun Electronics

Date: 4/9/2014 9:19:34 AM Sheet: 1/1