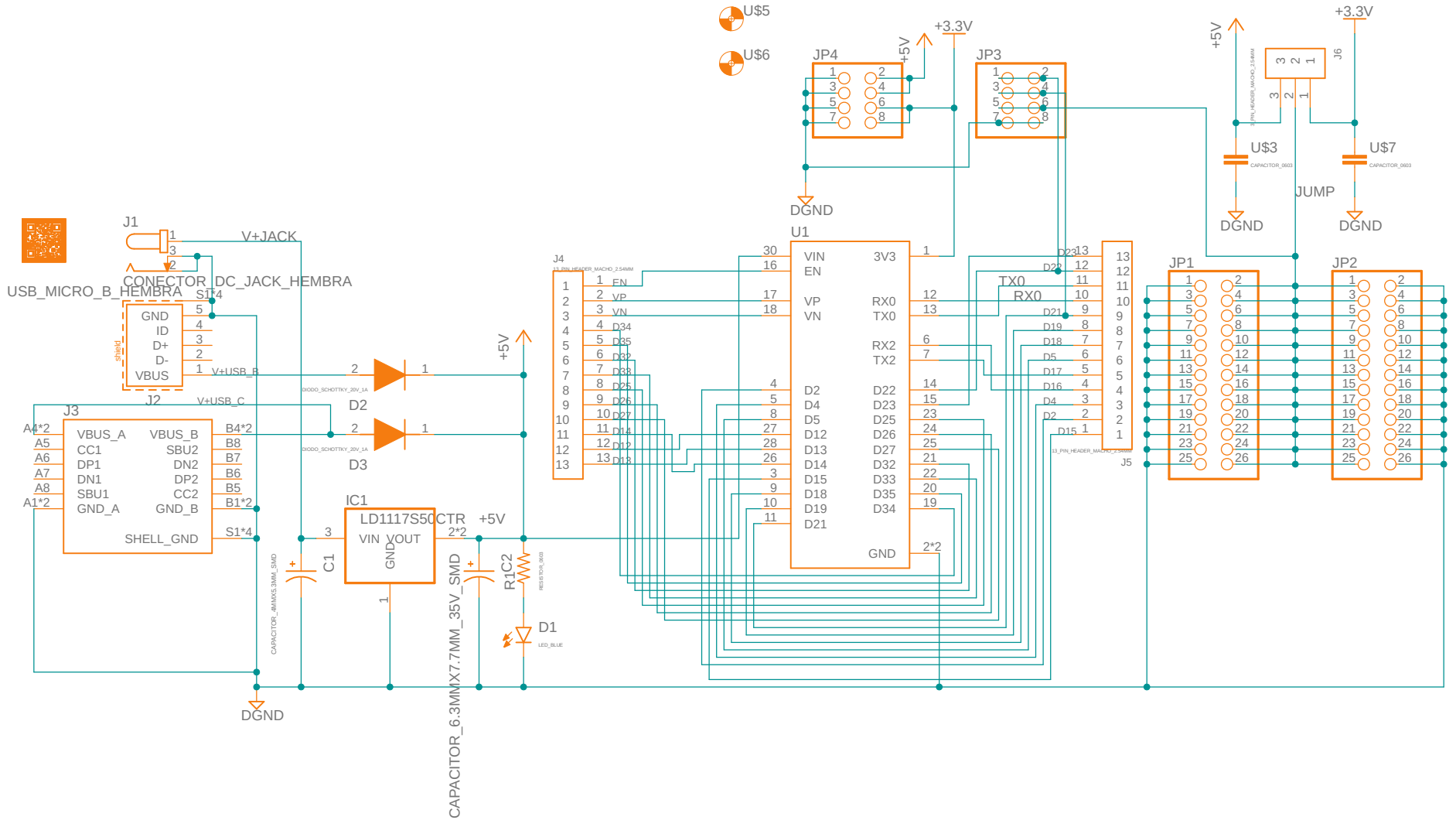



THE INFORMATION CONTAINED IN THIS DRAWING IS THE SOLE PROPERTY OF UNIT ELECTRONICS. ANY REPRODUCTION IN PART OR WHOLE IS STRICTLY PROHIBITED WITHOUT WRITTEN PERMISSION.

PROPRIETARY

- U\$2
- U\$4
- U\$5
- U\$6



Title: UNIT Expansion board para ESP32		
SKU: XXXX	REV: 2	
Last date time: 31/08/2022 10:47 a. m.	SHEET: 1 of 1	Sheet description: Módulo expansor de salidas para modelos ESP32, que permite de utilizar el pines de USB 5V o por Jack de 6.5V - 15V.
File: SKUXXXX - Expansion Board ESP32	Author: Federico Hidalgo	