

NOTES:

1) MATERIAL:

- "BLANK" = NYLON 6/6, 94V-2, COLOR: NATURAL.
- "BL" = NYLON 6/6, 94V-2, COLOR: BLACK.
- "BU" = NYLON 6/6, 94V-2, COLOR: BLUE.
- "RE" = NYLON 6/6, 94V-2, COLOR: RED.
- "210" = NYLON 6/6, 94V-0, COLOR: NATURAL.
- "400" = NYLON 6/6, 94V-0, COLOR: BLACK.

2) FINISH: NOT APPLICABLE

3) PRODUCT SPECIFICATION: PS-5556-001

4) PACKAGING: BULK PACKED PER PK-5559-001

5) PART MATES WITH MOLEX RECEPTACLE #5557,172708-0\*\*\*, 172708-1\*\*\*.

6) PART TO BE USED WITH MOLEX MALE TERMINAL #5558,#46012.

7) PART IS NOT DESIGNED FOR CURRENT SHARING.

8) CONNECTORS ARE NOT TO BE MATED OR UNMATED WHILE CIRCUITS ARE LIVE.

9) WIRES ARE TO BE DRESSED IN SUCH A MANNER TO ALLOW THE TERMINALS TO FLOAT FREELY IN THE POCKET.

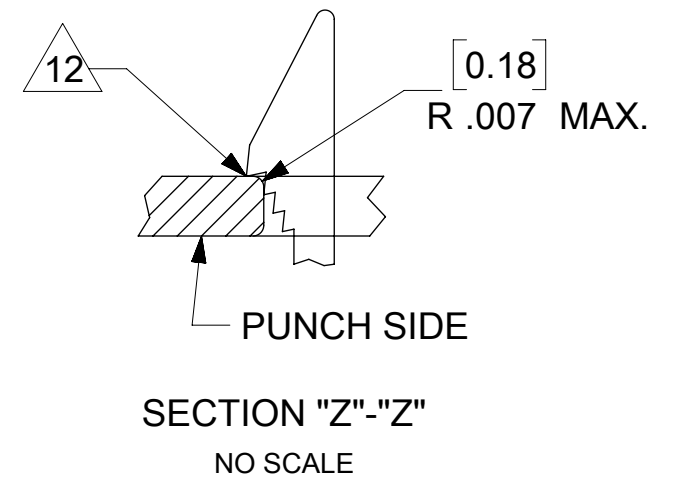
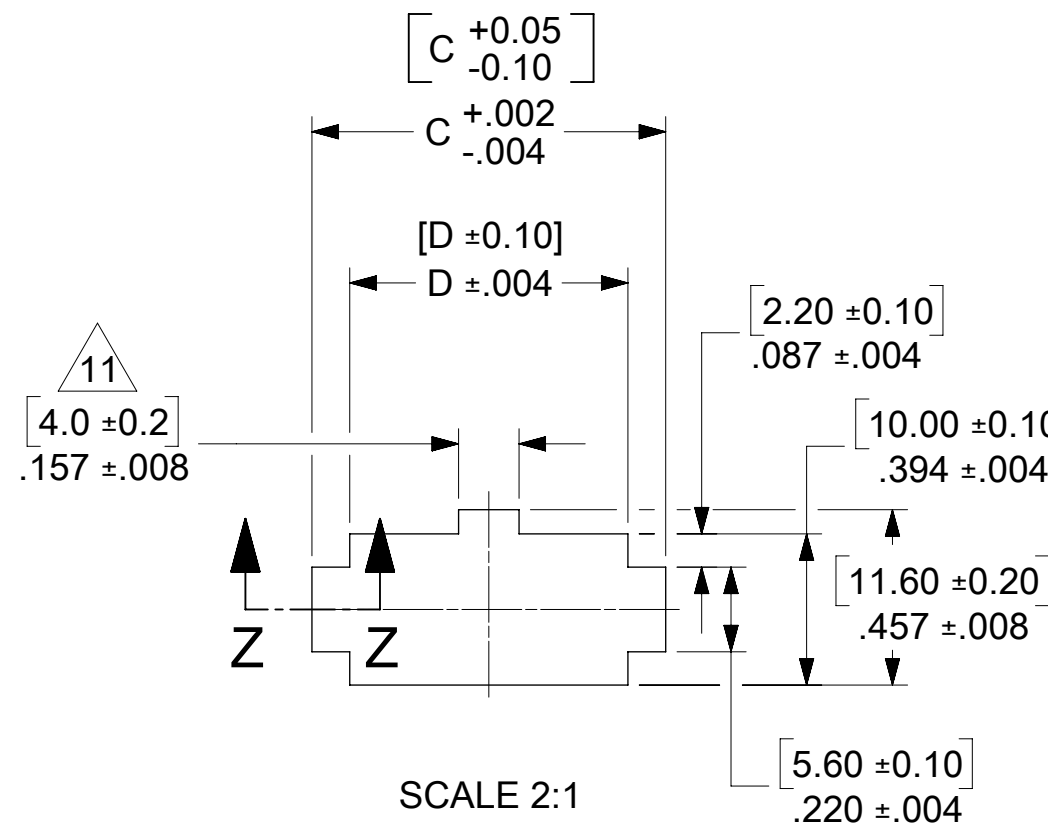
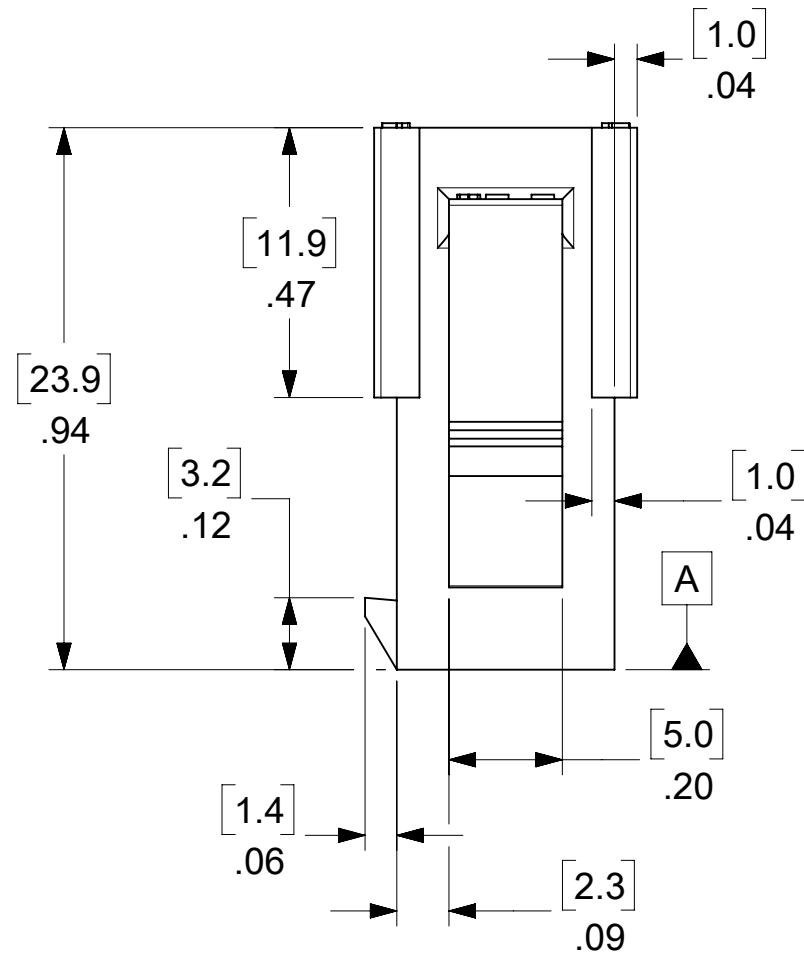
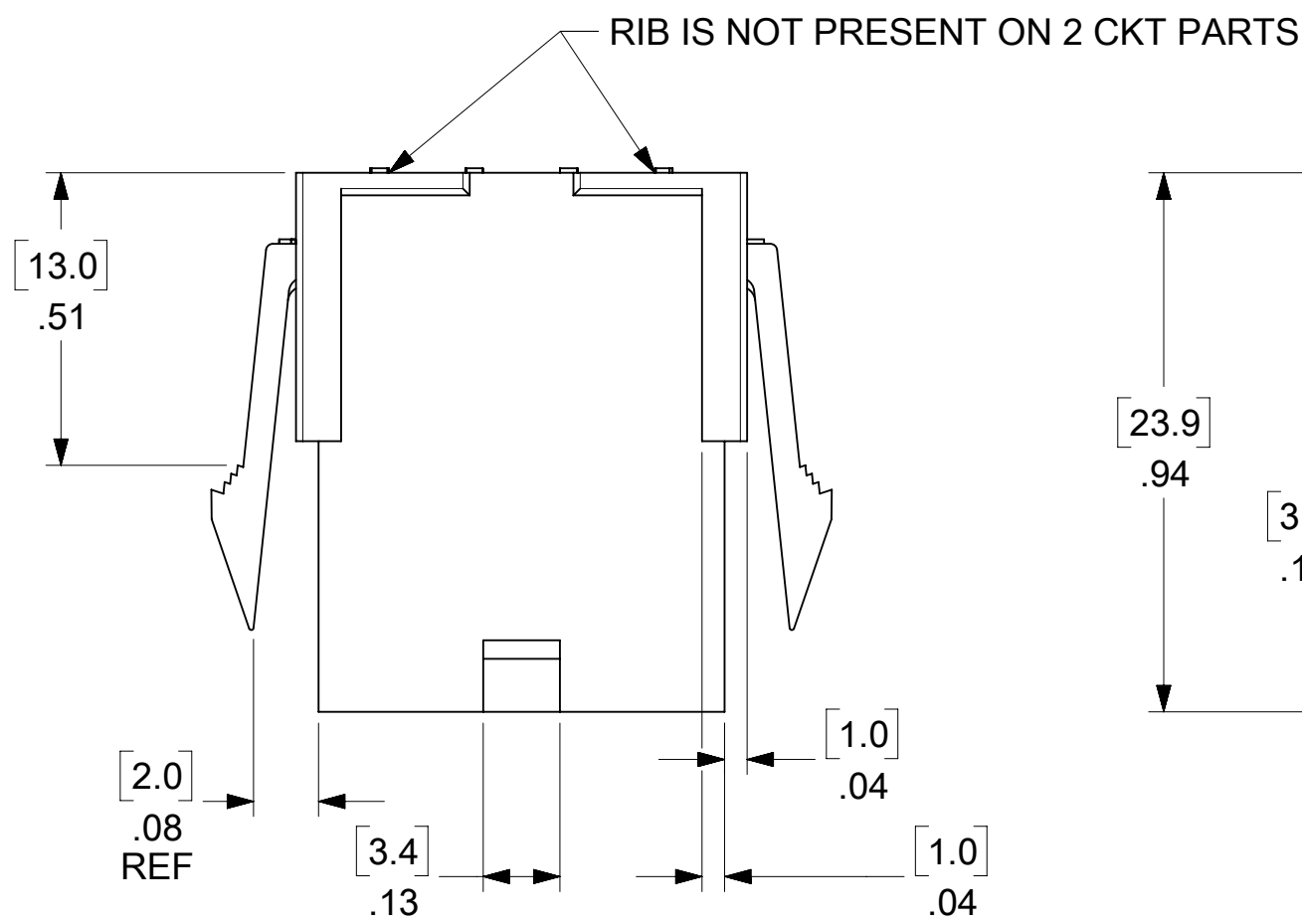
10) PART CONFORMS TO CLASS "B" REQUIREMENTS OF COSMETIC SPECIFICATION PS-45499-002 WITH THE EXCEPTION OF DISCOLORATION, FLASH AND SINK MEET CLASS "C" REQUIREMENTS.

11 ON 2 CIRCUITS PARTS THIS DIMENSION IS ALLOWABLE UP TO "D" DIMENSION.

12 PANEL HOLE TO BE PUNCHED OUT IN THE SAME DIRECTION AS INSERTION INTO THE PANEL.

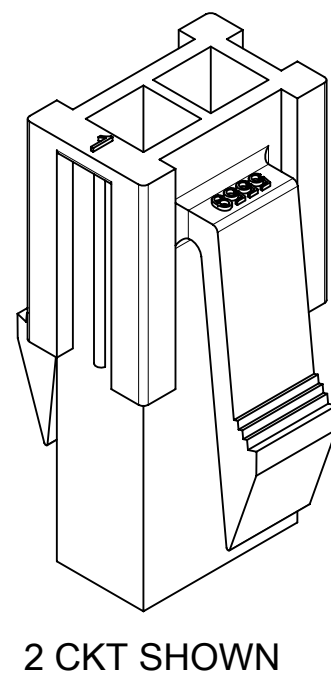
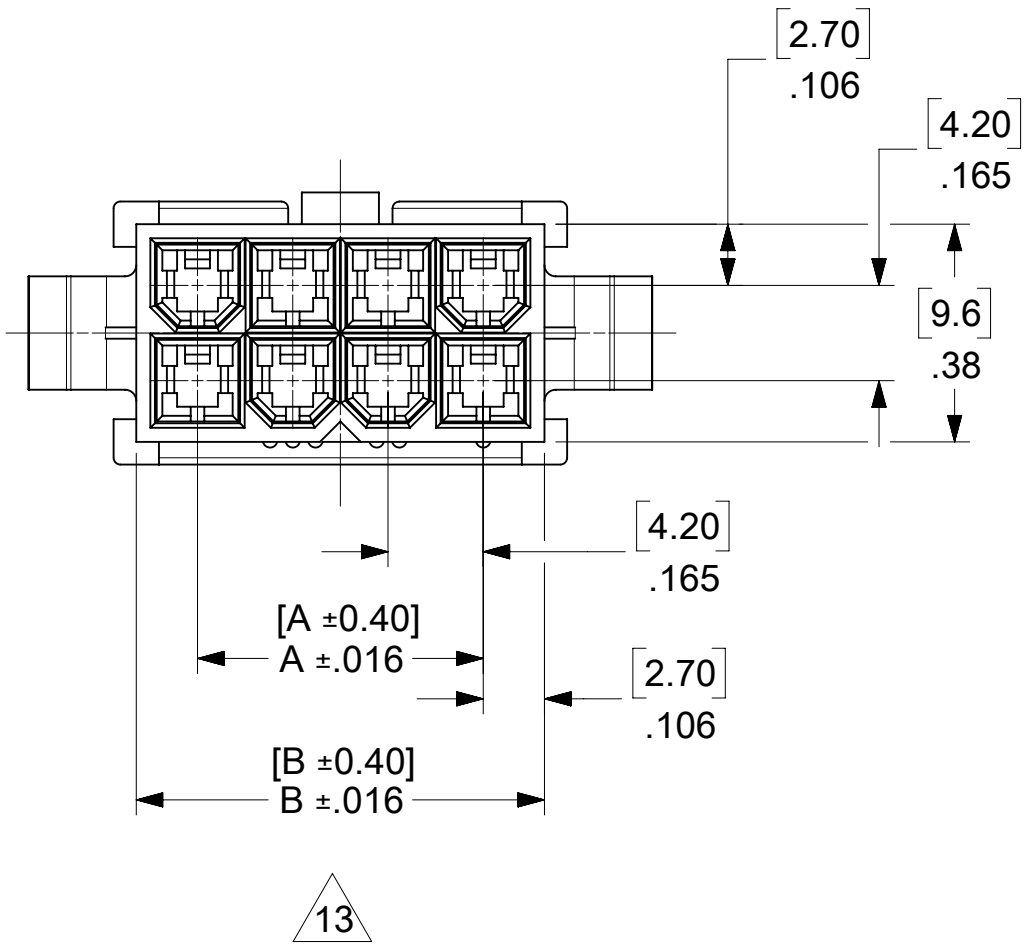
13 TO BE MEASURED AT SURFACE A

14 TEXT ON PART IS FOR REFERENCE ONLY. TEXT AND TEXT LOCATION MAY VARY DEPENDING ON PART NUMBER AND/OR TOOL.



12 RECOMMENDED PANEL DIMENSIONS  
(THICKNESS : 0.8-2.0/.032-.079)

2.051/52.1	2.244/57.0	2.031/51.6	1.819/46.2	24
1.886/47.9	2.079/52.8	1.866/47.4	1.654/42.0	22
1.720/43.7	1.913/48.6	1.701/43.2	1.488/37.8	20
1.555/39.5	1.748/44.4	1.535/39.0	1.323/33.6	18
1.390/35.3	1.583/40.2	1.370/34.8	1.158/29.4	16
1.224/31.1	1.417/36.0	1.205/30.6	.992/25.2	14
1.055/26.8	31.8/1.252	1.039/26.4	.827/21.0	12
.890/22.6	1.087/27.6	.874/22.2	.661/16.8	10
.724/18.4	.921/23.4	.709/18.0	.496/12.6	8
.559/14.2	.756/19.2	.543/13.8	.331/8.4	6
.394/10.0	.591/15.0	.378/9.6	.165/4.2	4
.228/5.8	.425/10.8	.213/5.4	-----	2
D	C	B	A	CIRCUIT

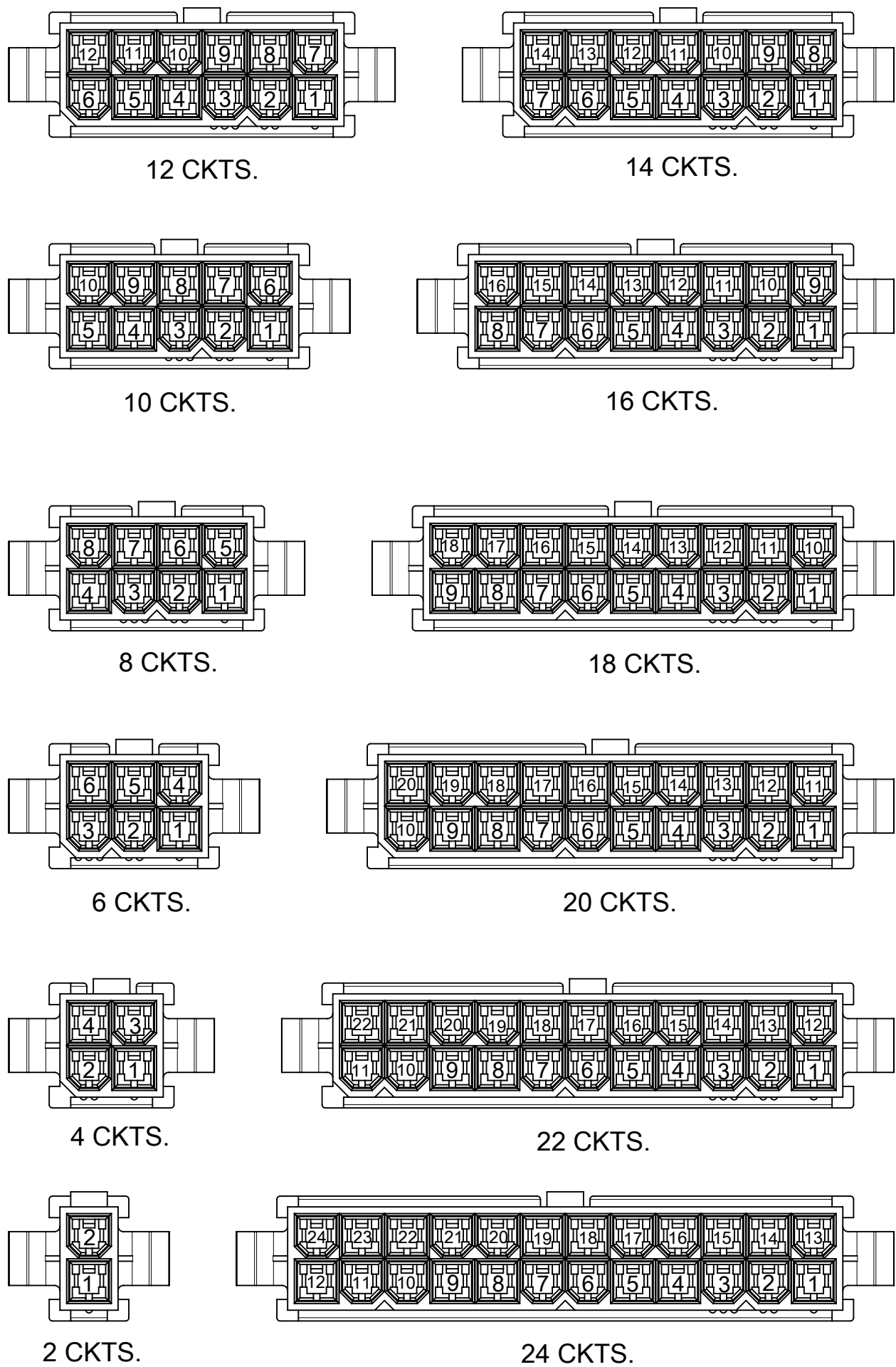


THIS DRAWING CONTAINS INFORMATION THAT IS PROPRIETARY TO MOLEX ELECTRONIC TECHNOLOGIES, LLC AND SHOULD NOT BE USED WITHOUT WRITTEN PERMISSION

DIMENSION UNITS		SCALE		CURRENT REV DESC: REAMSTERED WITH MODEL			
IN/MM		NTS					
GENERAL TOLERANCES (UNLESS SPECIFIED)							
		MM	INCH				
4 PLACES	±		±	EC NO: 782462			
3 PLACES	±		± 0.012	DRWN: SASWAP 2024/03/07			
2 PLACES	±	0.3	± 0.016	CHK'D: XQZHANG 2024/04/18			
1 PLACE	±	0.4	±	APPR: XQZHANG 2024/04/18			
0 PLACES	±		±	INITIAL REVISION:			
ANGULAR TOL		± 3.0 °		DRWN: H.HIRAMOTO 1998/10/14		DOCUMENT NUMBER	
DRAFT WHERE APPLICABLE MUST REMAIN WITHIN DIMENSIONS		THIRD ANGLE PROJECTION		APPR: E.ENOMOTO 1998/10/24		55590020-SD	
		DRAWING		SERIES		DOC TYPE DOC PART REVISION	
		C-SIZE		5559		PSD 000 A4	
		MATERIAL NUMBER		CUSTOMER		SHEET NUMBER	
		SEE TABLE		GENERAL MARKET		1 OF 2	

THIS DRAWING REPLACES SD-5559-NP

DOCUMENT STATUS	P1	RELEASE DATE	2024/04/18	04:37:57
-----------------	----	--------------	------------	----------



**CIRCUIT SIZE LAYOUT ( SCALE 2:1 )**

**LEGEND**

BASE NO. → 5559- \*\* P - \*  
 MATERIAL OPTION: (SEE NOTE 1)  
 CIRCUIT SIZE (02-24)  
 HOUSING TYPE: PUG WITH MOUNTING EARS

V-2 BLACK			V-0 BLACK								
46999-0157	5559-24P-BL	24	46999-0304	5559-24P-400	24						
		22	46999-0303	5559-22P-400	22						
39-02-8205	5559-20P-BL	20	46999-0302	5559-20P-400	20						
		18	46999-0301	5559-18P-400	18						
		16	46999-0300	5559-16P-400	16						
		14	46999-0299	5559-14P-400	14						
		12	46999-0298	5559-12P-400	12						
		10	46999-0297	5559-10P-400	10						
		8	46999-0296	5559-08P-400	8						
39-02-8065	5559-06P-BL	6	46999-0295	5559-06P-400	6						
		4	46999-0294	5559-04P-400	4						
		2	46999-0293	5559-02P-400	2						
EDP NO.	ENG. NO.	CIRCUIT	EDP NO.	ENG. NO.	CIRCUIT						
V-2 BLUE			V-2 RED			V-0 NATURAL			V-2 NATURAL		
		24			24	39-01-2246	5559-24P-210	24	39-01-2241	5559-24P	24
		22			22	39-01-2226	5559-22P-210	22	39-01-2221	5559-22P	22
		20			20	39-01-2206	5559-20P-210	20	39-01-2201	5559-20P	20
		18			18	39-01-2186	5559-18P-210	18	39-01-2181	5559-18P	18
		16			16	39-01-2166	5559-16P-210	16	39-01-2161	5559-16P	16
		14			14	39-01-2146	5559-14P-210	14	39-01-2141	5559-14P	14
		12			12	39-01-2126	5559-12P-210	12	39-01-2121	5559-12P	12
		10			10	39-01-2106	5559-10P-210	10	39-01-2101	5559-10P	10
		8			8	39-01-2086	5559-08P-210	8	39-01-2081	5559-08P	8
		6			6	39-01-2066	5559-06P-210	6	39-01-2061	5559-06P	6
		4			4	39-01-2046	5559-04P-210	4	39-01-2041	5559-04P	4
		2			2	39-01-2026	5559-02P-210	2	39-01-2021	5559-02P	2
EDP NO.	ENG. NO.	CIRCUIT	EDP NO.	ENG. NO.	CIRCUIT	EDP NO.	ENG. NO.	CIRCUIT	EDP NO.	ENG. NO.	CIRCUIT

THIS DRAWING CONTAINS INFORMATION THAT IS PROPRIETARY TO MOLEX ELECTRONIC TECHNOLOGIES, LLC AND SHOULD NOT BE USED WITHOUT WRITTEN PERMISSION

DIMENSION UNITS		SCALE		CURRENT REV DESC: REAMSTERED WITH MODEL													
IN/MM		NTS															
GENERAL TOLERANCES (UNLESS SPECIFIED)						EC NO: 782462		<b>MINI. FIT JR DUAL ROW</b> <b>2-24CKT PLUG HOUSING WITH EARS</b>									
						DRWN: SASWAP 2024/03/07											
						CHK'D: XQZHANG 2024/04/18		<b>PRODUCT CUSTOMER DRAWING</b>									
						APPR: XQZHANG 2024/04/18											
						INITIAL REVISION:		DOCUMENT NUMBER: <b>55590020-SD</b> DOC TYPE: PSD DOC PART: 000 REVISION: <b>A4</b>									
						DRWN: H.HIRAMOTO 1998/10/14											
						APPR: E.ENOMOTO 1998/10/24											
ANGULAR TOL ± 3.0 °						THIRD ANGLE PROJECTION		DRAWING		SERIES		MATERIAL NUMBER		CUSTOMER		SHEET NUMBER	
DRAFT WHERE APPLICABLE MUST REMAIN WITHIN DIMENSIONS								C-SIZE		5559		SEE TABLE		GENERAL MARKET		2 OF 2	

THIS DRAWING REPLACES SD-5559-NP