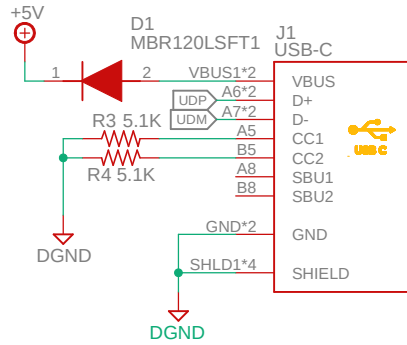


THE INFORMATION CONTAINED IN THIS DRAWING IS THE SOLE PROPERTY OF UNIT ELECTRONICS. ANY REPRODUCTION IN PART OR WHOLE IS STRICTLY PROHIBITED WITHOUT WRITTEN PERMISSION.

PROPRIETARY

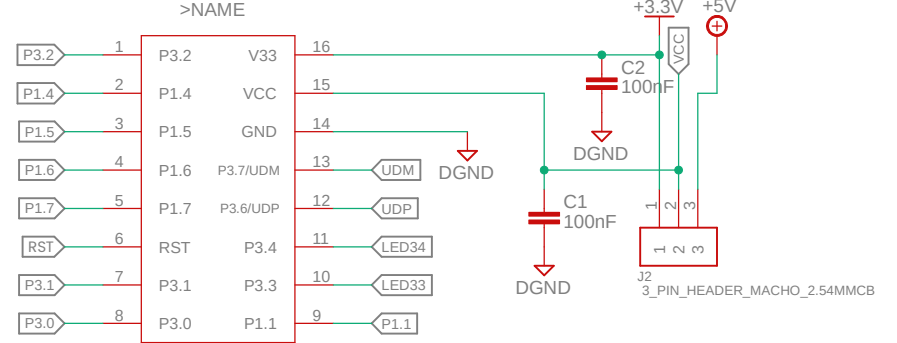
USB CONNECTOR



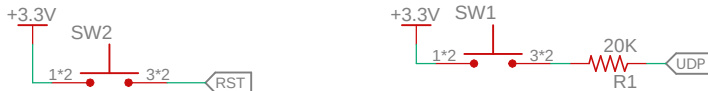
M2 HOLES



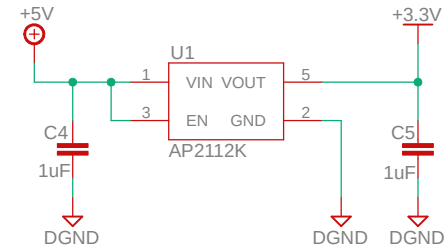
MCU



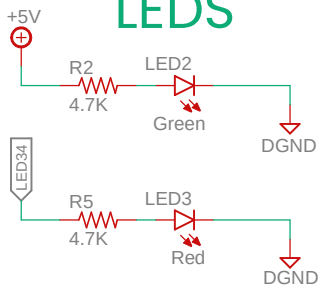
BUTTONS



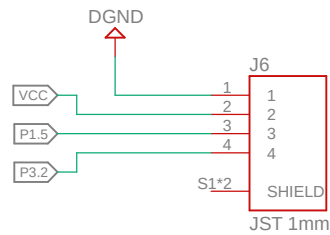
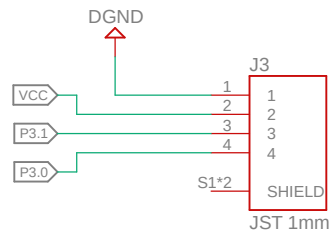
REGULATOR



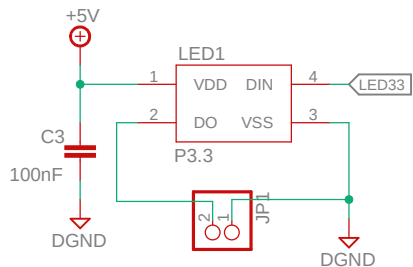
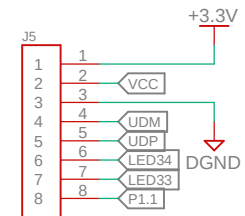
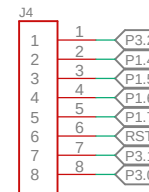
LEDS



JST CONNECTOR



PIN HEADERS



Title: Cocket-Nova CH552G Development Board		
SKU: UE0025	REV: 1	
Last date time: 26/09/2024 09:36 a. m.	SHEET: 1 of 1	
File:	Sheet description: CH552G Tarjeta de Desarrollo	Author: Alberto Villanueva