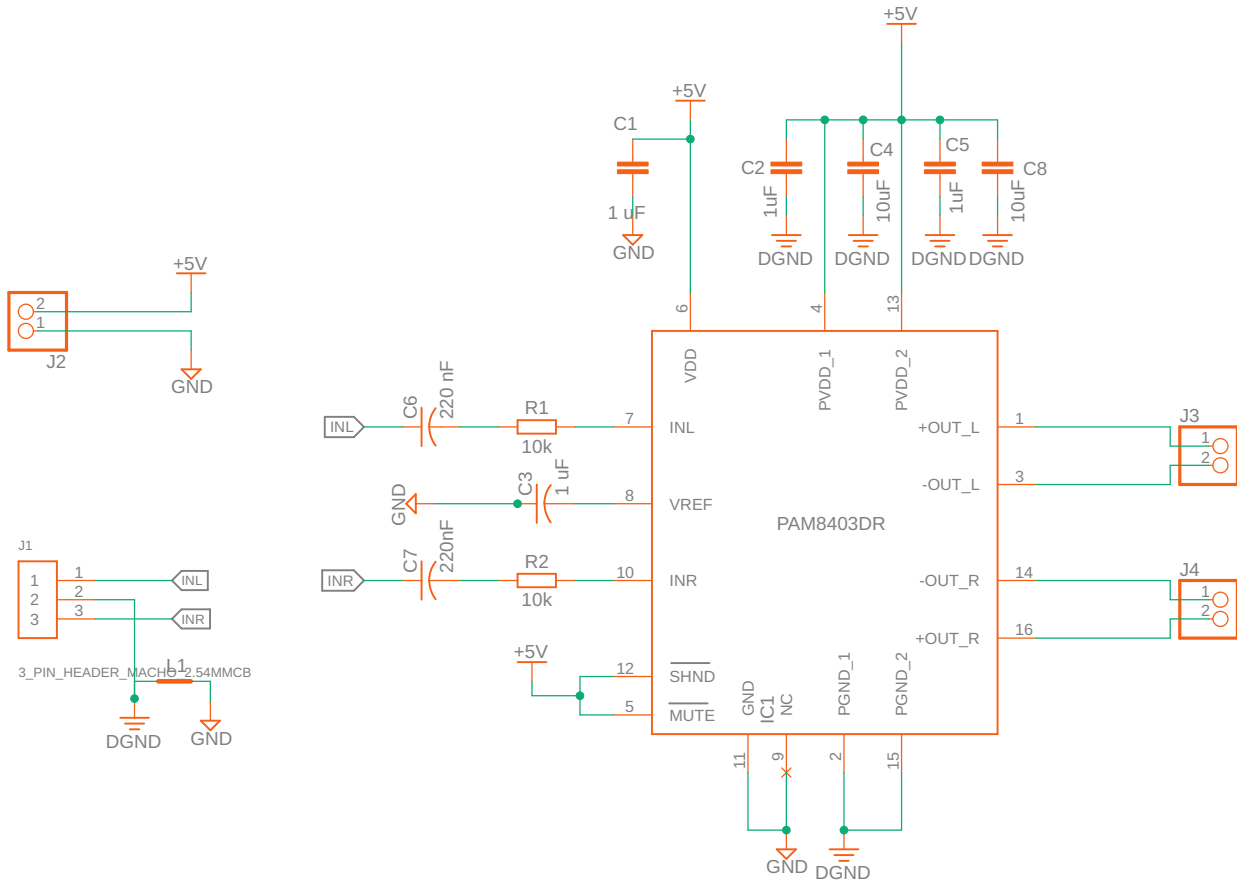


THE INFORMATION CONTAINED IN THIS DRAWING IS THE SOLE PROPERTY OF UNIT ELECTRONICS. ANY REPRODUCTION IN PART OR WHOLE IS STRICTLY PROHIBITED WITHOUT WRITTEN PERMISSION.

PROPRIETARY



U\$1
HOLE_PAD_X2MM



U\$2
HOLE_PAD_X2MM



Title: PAM8403 AMP 5V 2x3W

SKU: REV: V1.0

Last date time: 23/10/2024 06:36 p. m. SHEET: 1 of 1

File: Sheet description: PAM8403 Connections



Author: Adrián Rabadán Ortiz