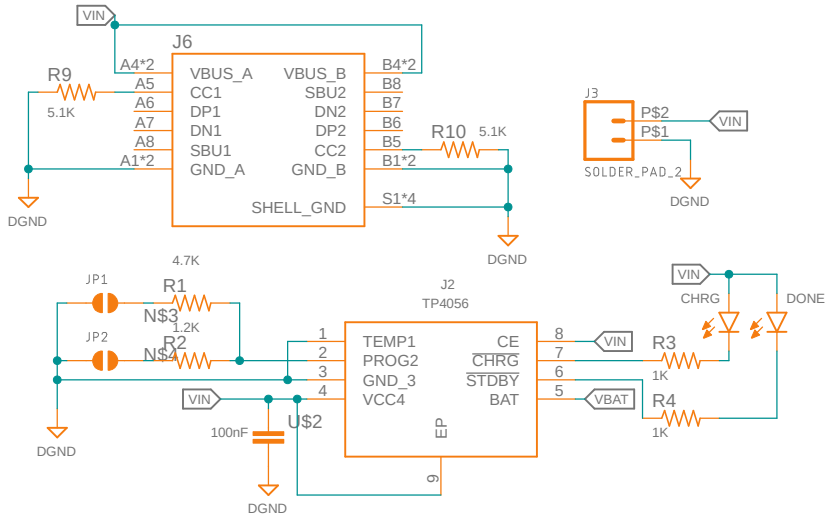


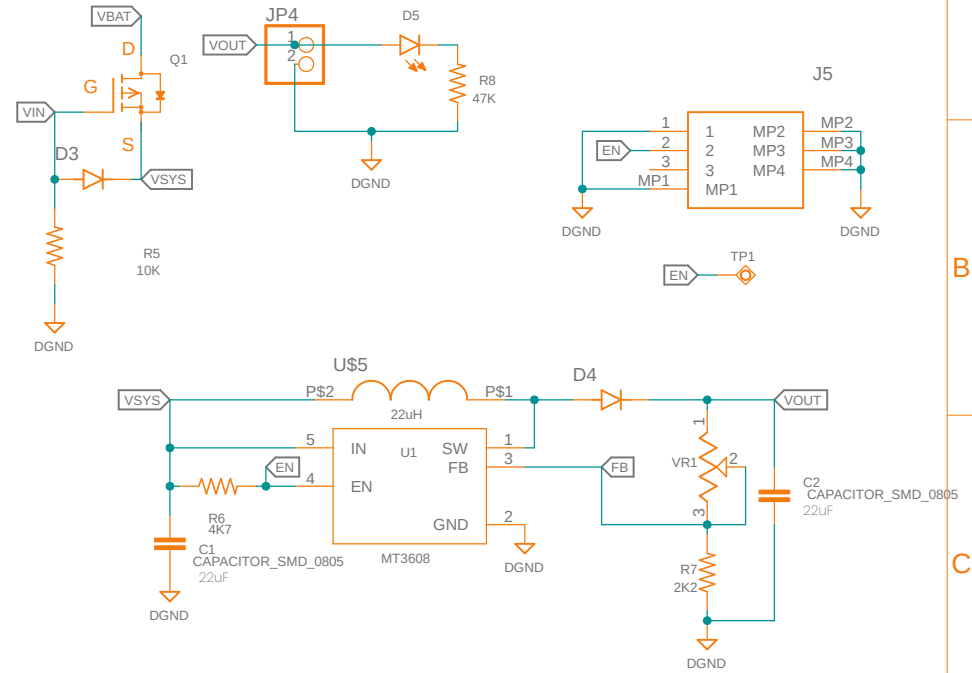
THE INFORMATION CONTAINED IN THIS DRAWING IS THE SOLE PROPERTY OF UNIT ELECTRONICS. ANY REPRODUCTION IN PART OR WHOLE IS STRICTLY PROHIBITED WITHOUT WRITTEN PERMISSION.

PROPRIETARY

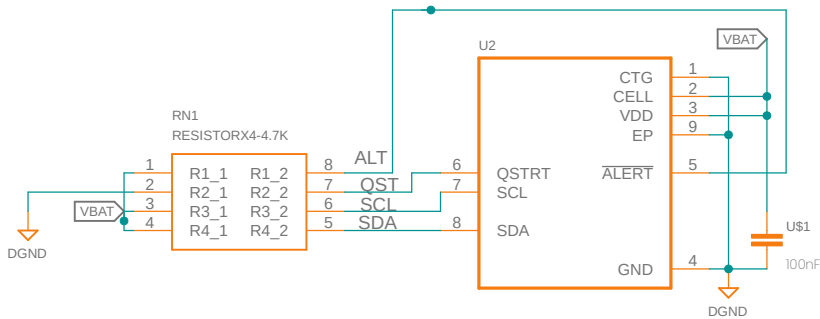
## CARGADOR TP4056



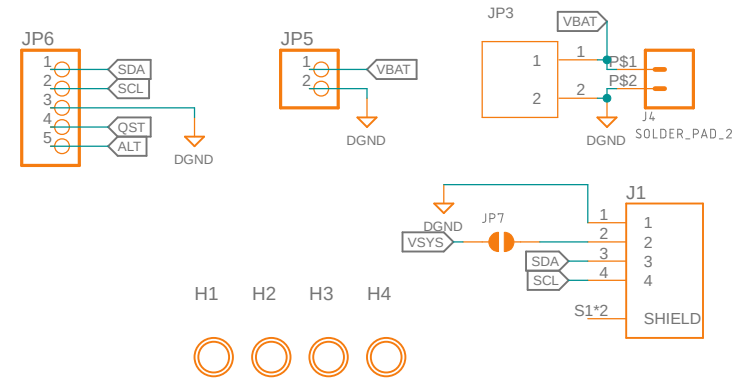
## STEP UP



## COMUNICACIÓN I2C



## CONECTORES



Title: I2C Monitor y Cargador Lipo

SKU: UE0001

REV: 5

Last date time: 09/01/2024 05:14 p. m.

SHEET: 1 of 1

File:

Sheet description: Monitor de baterías Lipo mediante I2C

Author: Federico Hidalgo

