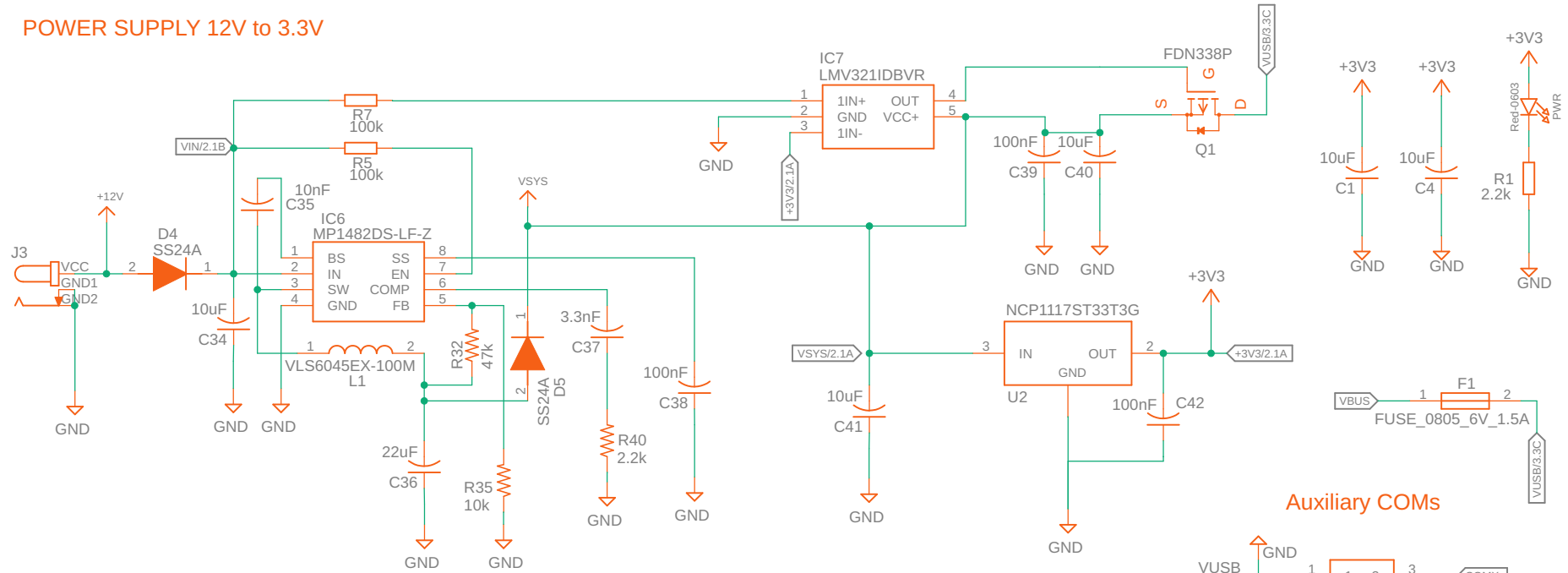
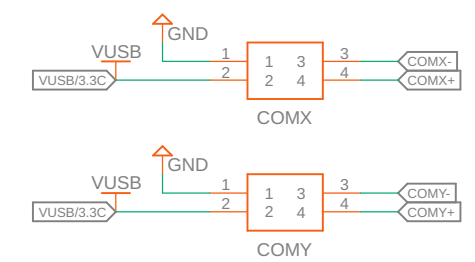


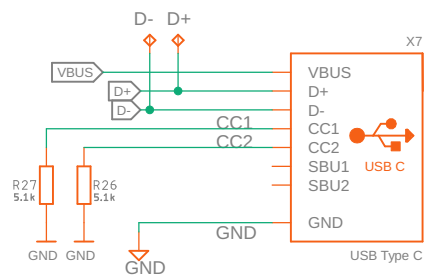
POWER SUPPLY 12V to 3.3V



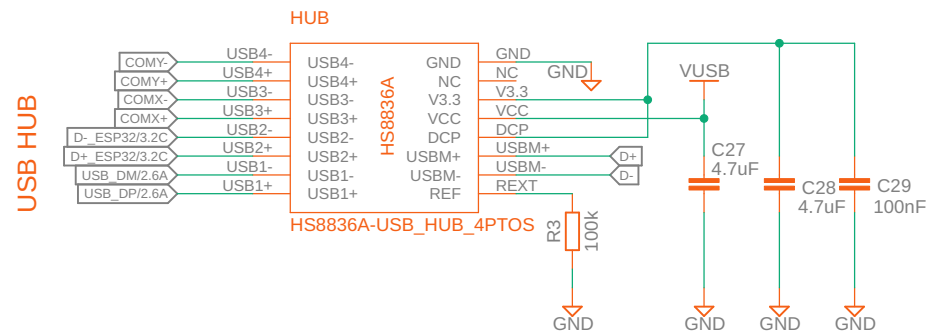
Auxiliary COMs



USB TYPE C CONNECTOR



Primary USB Manager



MOUNTING HOLES

- H1 MOUNT-PAD-ROUND3.0
- H2 MOUNT-PAD-ROUND3.0
- H3 MOUNT-PAD-ROUND3.0
- H4 MOUNT-PAD-ROUND3.0

THE INFORMATION CONTAINED IN THIS DRAWING IS THE SOLE PROPERTY OF UNIT ELECTRONICS. ANY REPRODUCTION IN PART OR WHOLE IS STRICTLY PROHIBITED WITHOUT WRITTEN PERMISSION.

PROPRIETARY

Description:
Development board based on RP2040 microcontroller
Dual cortex M0+ 133 Mhz with WIFI communication
via espresif ESP32 microcontroller

Title: UNIT DualMCU R-ONE

SKU: UE0022

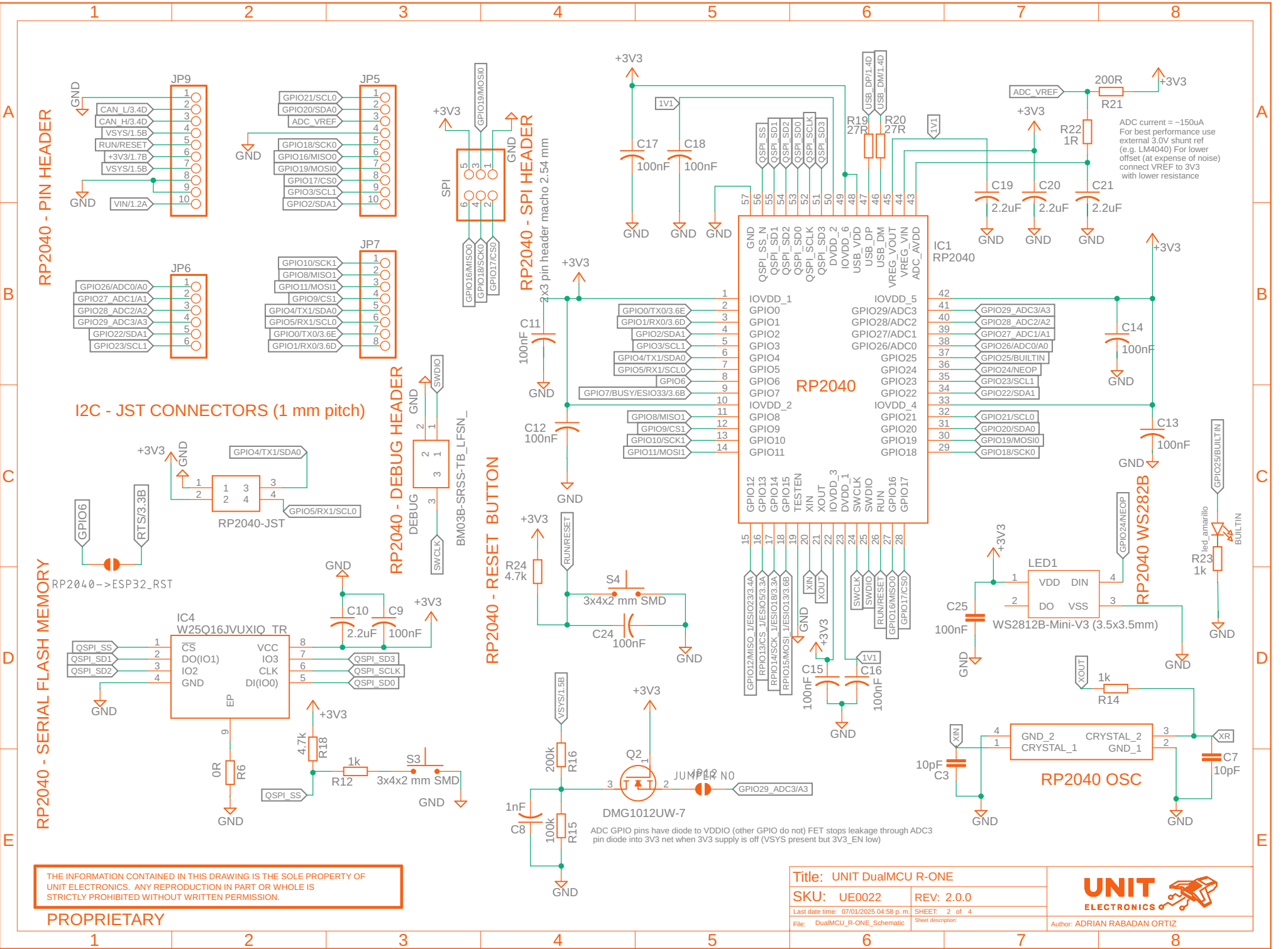
REV: V2.0.0

Last date time: 07/01/2025 04:58 p.m. SHEET: 1 of 4

File: DualMCU_R-ONE_Schematic Sheet description

Author: ADRIAN RABADAN ORTIZ





THE INFORMATION CONTAINED IN THIS DRAWING IS THE SOLE PROPERTY OF UNIT ELECTRONICS. ANY REPRODUCTION IN PART OR WHOLE IS STRICTLY PROHIBITED WITHOUT WRITTEN PERMISSION.

PROPRIETARY

Title: UNIT DualMCU R-ONE

SKU: UE0022

REV: 2.0.0

Last date time: 07/01/2025 04:58 p.m.

SHEET: 2 of 4

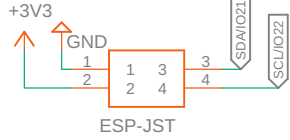
File: DualMCU_R-ONE_Schematic

Sheet description:



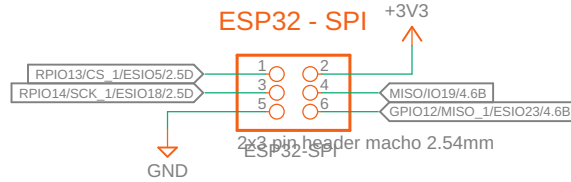
Author: ADRIAN RABADAN ORTIZ

I2C - JST CONNECTOR (1 mm pitch)



ESP-JST

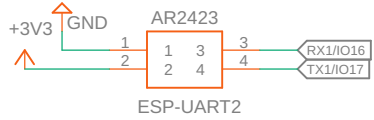
ESP32 - SPI



ESP32 - PROG

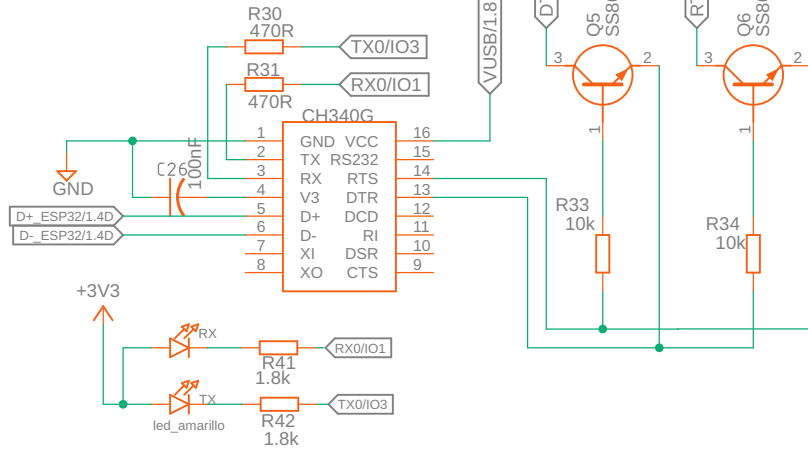


UART2 - JST CONNECTOR (1 mm pitch)



ESP-UART2

USB -> CH340 CONNECTION

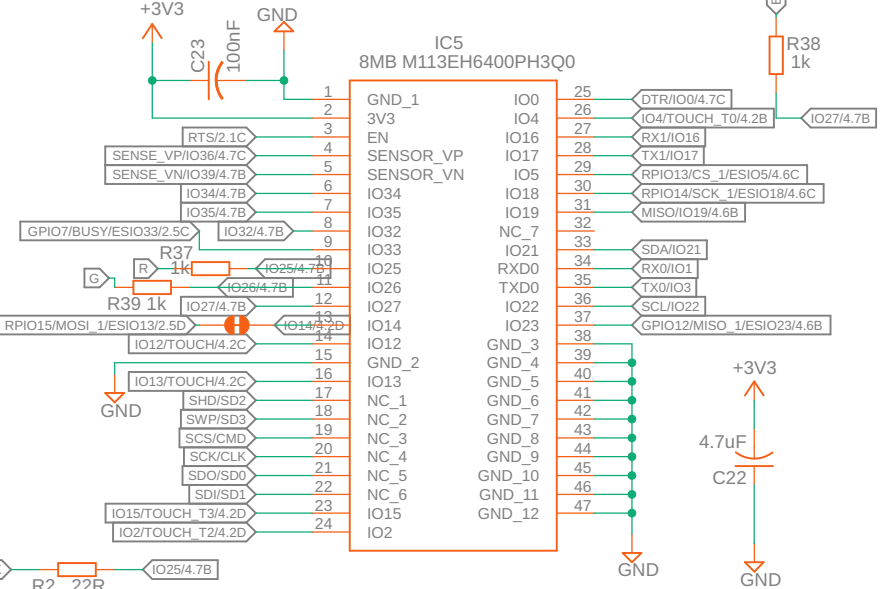


ESP32 WIFI & BLUETOOTH

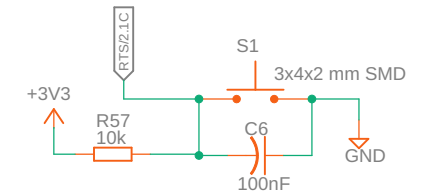


UART DIP switch - ESP32 to RP2040

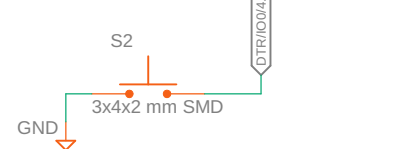
ESP32 - RGB 2020 LED



ESP32 - RESET BUTTON



ESP32 - BOOT BUTTON

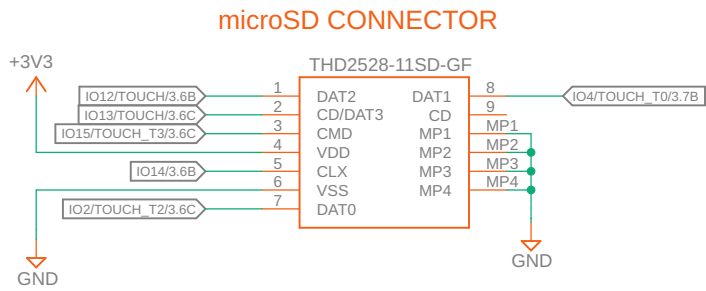
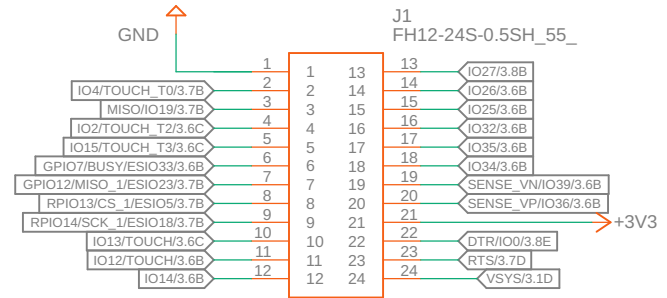
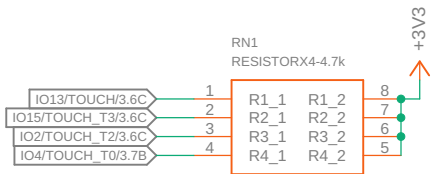


THE INFORMATION CONTAINED IN THIS DRAWING IS THE SOLE PROPERTY OF UNIT ELECTRONICS. ANY REPRODUCTION IN PART OR WHOLE IS STRICTLY PROHIBITED WITHOUT WRITTEN PERMISSION.

PROPRIETARY

Title: UNIT DualMCU R-ONE		
SKU: UE0022	REV: 2.0.0	
Last date time: 07/01/2025 04:58 p.m. File: DualMCU_R-ONE_Schematic	SHEET: 3 of 4 Sheet description	

Author: ADRIAN RABADAN ORTIZ



THE INFORMATION CONTAINED IN THIS DRAWING IS THE SOLE PROPERTY OF UNIT ELECTRONICS. ANY REPRODUCTION IN PART OR WHOLE IS STRICTLY PROHIBITED WITHOUT WRITTEN PERMISSION.

PROPRIETARY

Title: UNIT DualMCU R-ONE

SKU: UE0022

REV: 2.0.0

Last date time: 07/01/2025 04:58 p.m.

SHEET: 4 of 4

File: DualMCU_R-ONE_Schematic

Sheet description:

Author: ADRIAN RABADAN ORTIZ

