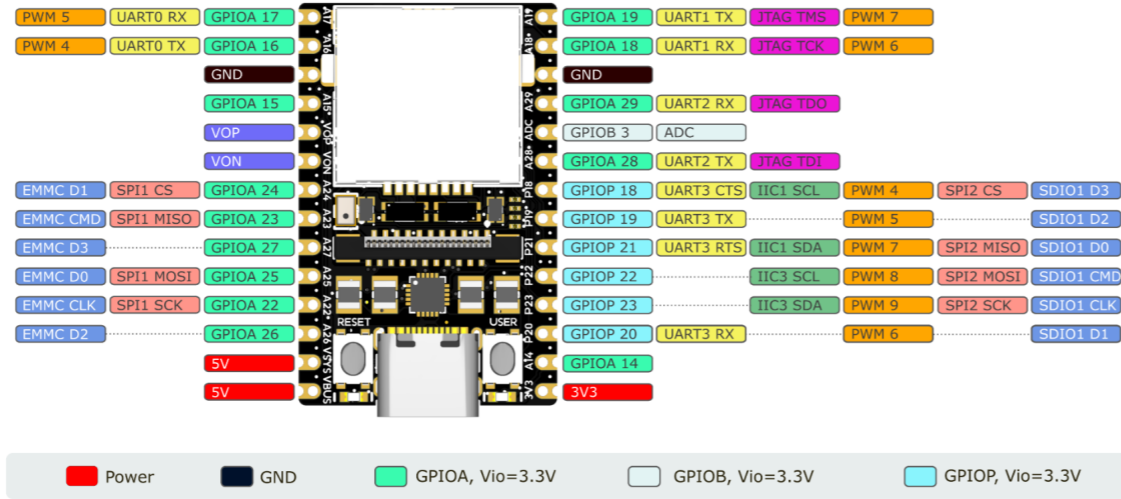
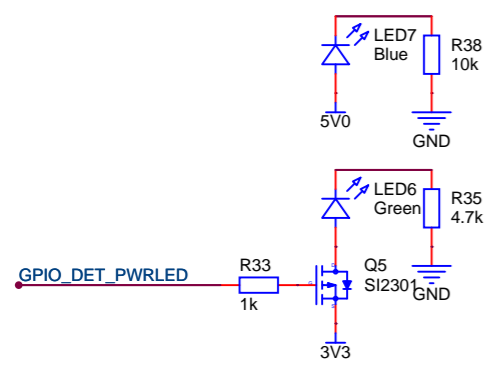
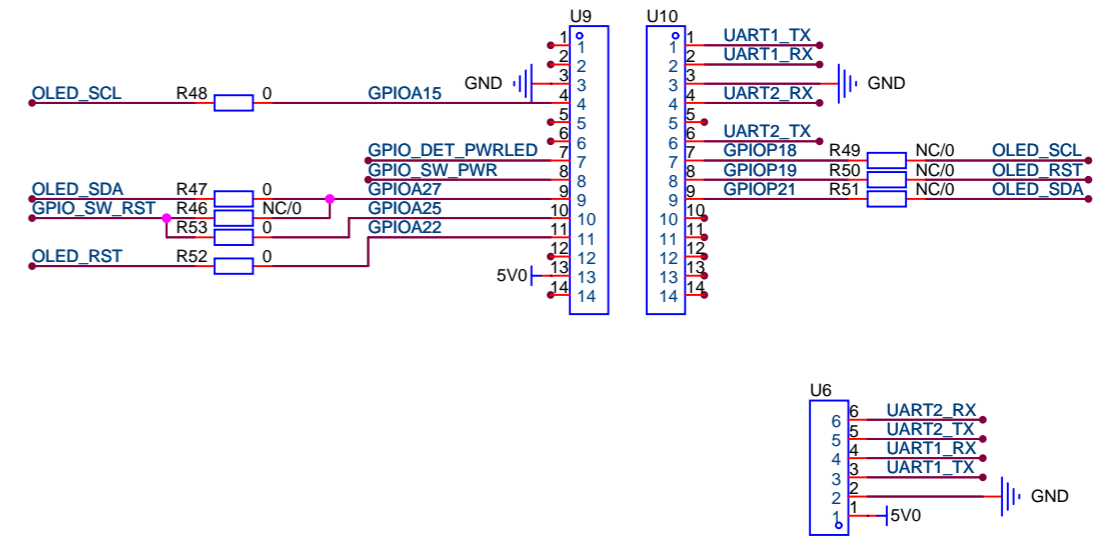


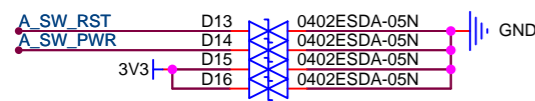
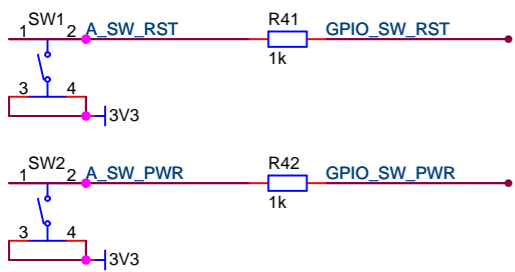
LED



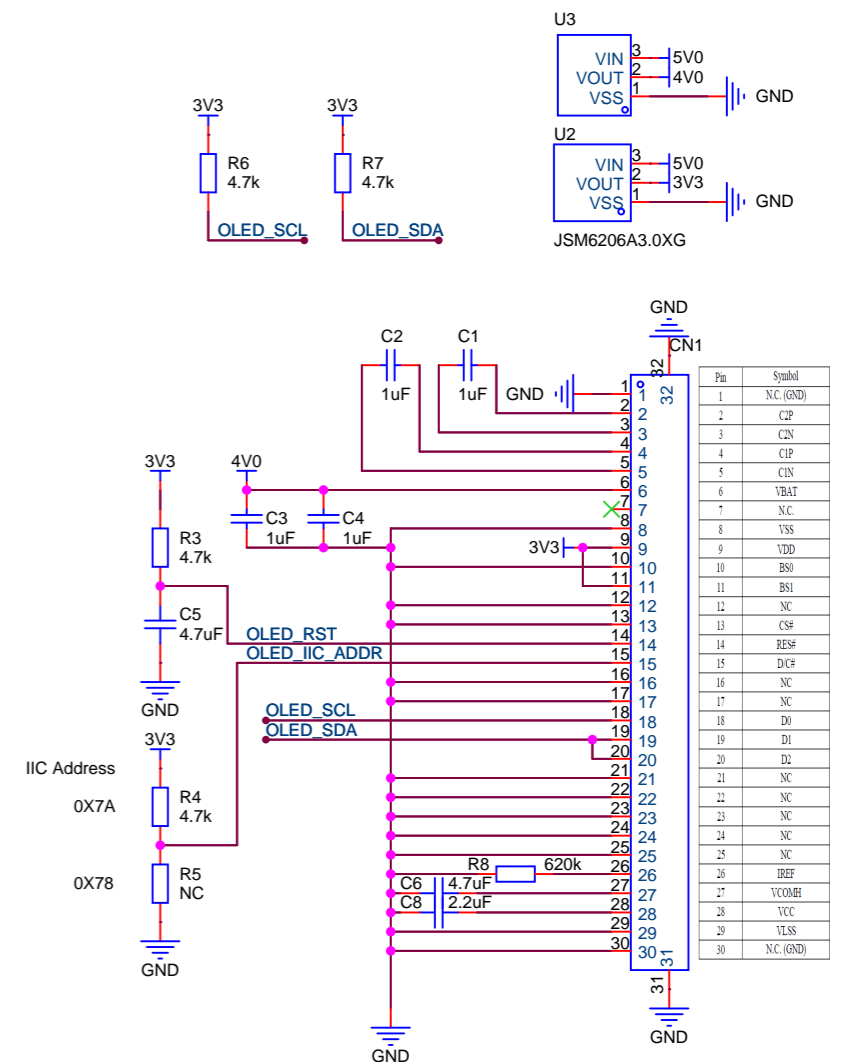
Pin Header (Connect to RV nano)



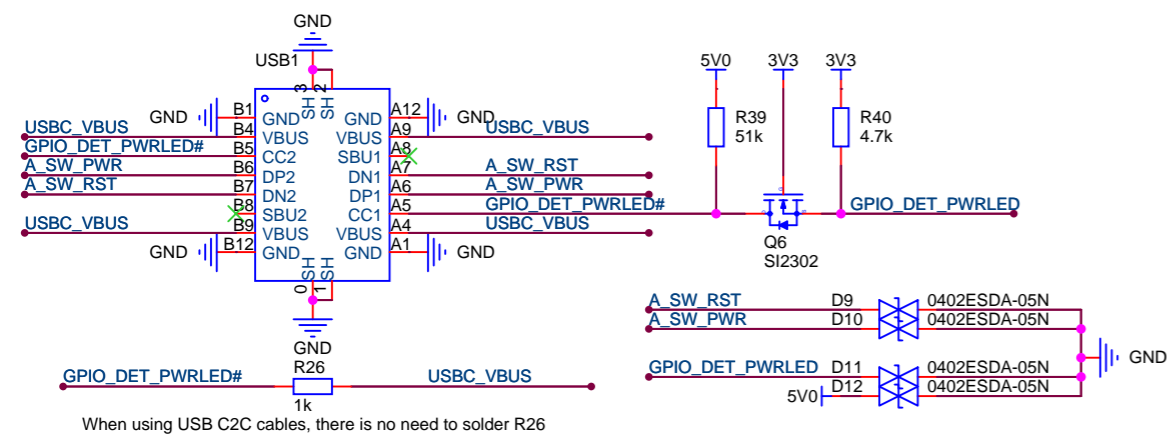
Button



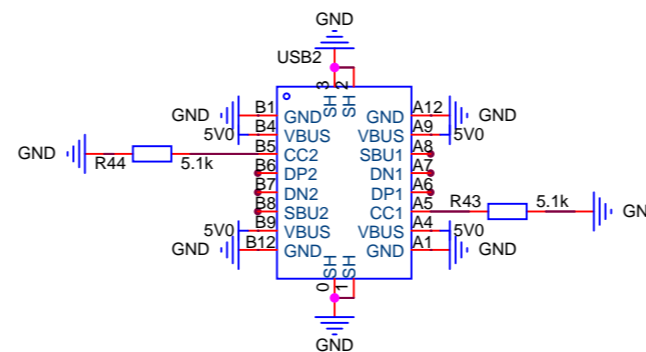
0.96inch OLED mono white



USBC Connect to KVM_B



USBC Power input only



Shenzhen Sipeed Techno. Co.,Ltd. Date: _____

SCH: _____ Rev: _____

Page: _____ Id: _____