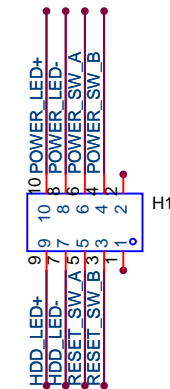
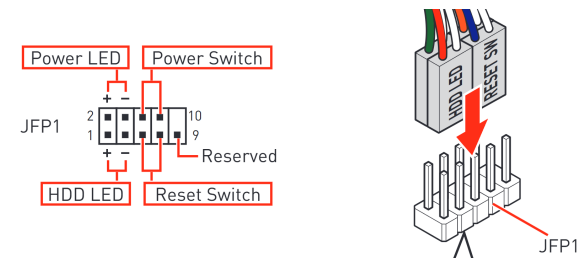


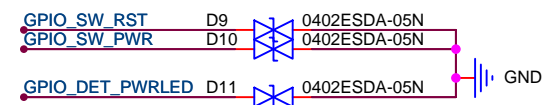
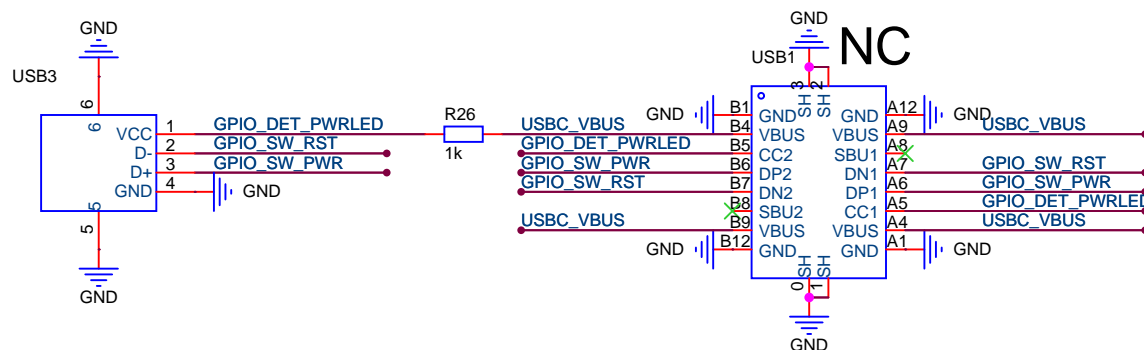
Connect to Mother Board



Connect to PC case(Optional)



The function of R26 is to avoid using USB A to C cables incorrectly, U5 will short VBUS to GND
When using USB C to C cables, there is no need to solder R26



SCH:	Date:
Page:	Rev:
	Id: